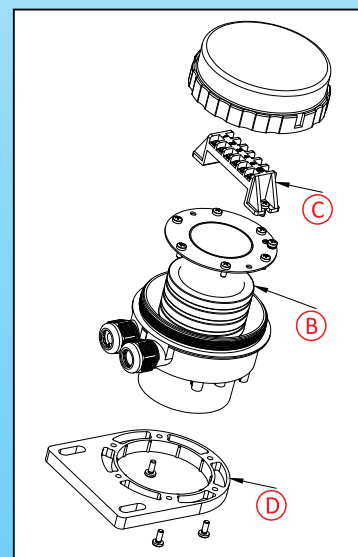
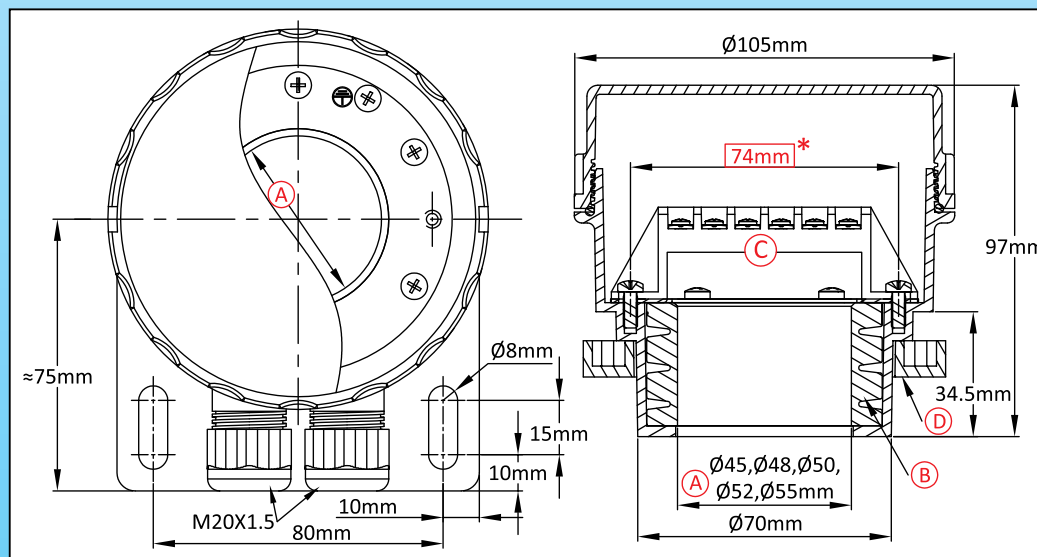
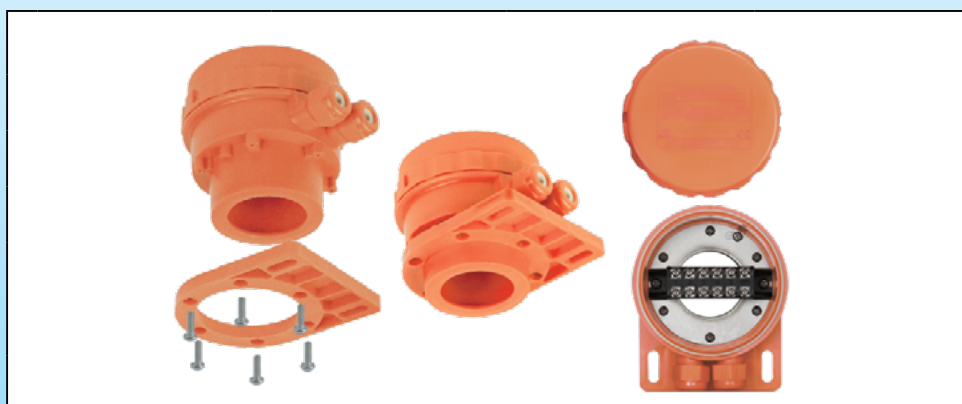


Polypropylene immersion heater enclosure for surface treatment baths and highly corrosive environments



Size(mm)	Volume(cm ³)	Material	Protection grade		Model
Dia. 105 x 95	663	Polypropylene	IP69K	IK10	Y3C6

Suitable for
<input type="checkbox"/> Temperature sensor
<input checked="" type="checkbox"/> Immersion heater
<input type="checkbox"/> Finned heater
<input checked="" type="checkbox"/> Thermostat
<input type="checkbox"/> Level sensor
<input type="checkbox"/> Electronic board



Main references

Ⓐ (mm)	Ⓑ	Ⓒ	With connection block Ⓓ	Without connection block Ⓔ	Ⓐ (mm)	Ⓑ	Ⓒ	With connection block Ⓓ	Without connection block Ⓔ
45	Silicone	✓	Y3C6450022BH40XU	Y3C6450022B000XU	50	FKM	×	Y3C6500022BH40WU	Y3C6500022B000WU
45	Silicone	×	Y3C6450022BH40UU	Y3C6450022B000UU	50	NBR	✓	Y3C6500022BH40YU	Y3C6500022B000YU
45	FKM	✓	Y3C6450022BH40ZU	Y3C6450022B000ZU	50	NBR	×	Y3C6500022BH40VU	Y3C6500022B000VU
45	FKM	×	Y3C6450022BH40WU	Y3C6450022B000WU	52	Silicone	✓	Y3C6520022BH40XU	Y3C6520022B000XU
45	NBR	✓	Y3C6450022BH40YU	Y3C6450022B000YU	52	Silicone	×	Y3C6520022BH40UU	Y3C6520022B000UU
45	NBR	×	Y3C6450022BH40VU	Y3C6450022B000VU	52	FKM	✓	Y3C6520022BH40ZU	Y3C6520022B000ZU
48	Silicone	✓	Y3C6480022BH40XU	Y3C6480022B000XU	52	FKM	×	Y3C6520022BH40WU	Y3C6520022B000WU
48	Silicone	×	Y3C6480022BH40UU	Y3C6480022B000UU	52	NBR	✓	Y3C6520022BH40YU	Y3C6520022B000YU
48	FKM	✓	Y3C6480022BH40ZU	Y3C6480022B000ZU	52	NBR	×	Y3C6520022BH40VU	Y3C6520022B000VU
48	FKM	×	Y3C6480022BH40WU	Y3C6480022B000WU	55	Silicone	✓	Y3C6550022BH40XU	Y3C6550022B000XU
48	NBR	✓	Y3C6480022BH40YU	Y3C6480022B000YU	55	Silicone	×	Y3C6550022BH40UU	Y3C6550022B000UU
48	NBR	×	Y3C6480022BH40VU	Y3C6480022B000VU	55	FKM	✓	Y3C6550022BH40ZU	Y3C6550022B000ZU
50	Silicone	✓	Y3C6500022BH40XU	Y3C6500022B000XU	55	FKM	×	Y3C6550022BH40WU	Y3C6550022B000WU
50	Silicone	×	Y3C6500022BH40UU	Y3C6500022B000UU	55	NBR	✓	Y3C6550022BH40YU	Y3C6550022B000YU
50	FKM	✓	Y3C6500022BH40ZU	Y3C6500022B000ZU	55	NBR	×	Y3C6550022BH40VU	Y3C6550022B000VU

Cable gland not included in these reference, consult us if you want them.

Red dimensions inside rectangular frames on drawings are used for accessories assembly.

Because of permanent improvement of our products, drawings, descriptions, features used on these data sheets are for guidance only and can be modified without prior advice